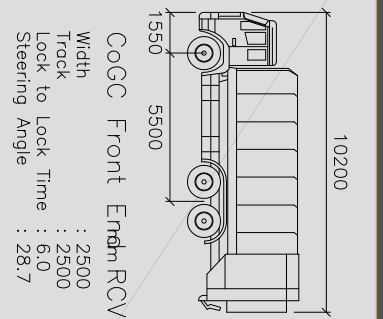
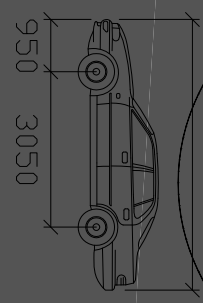
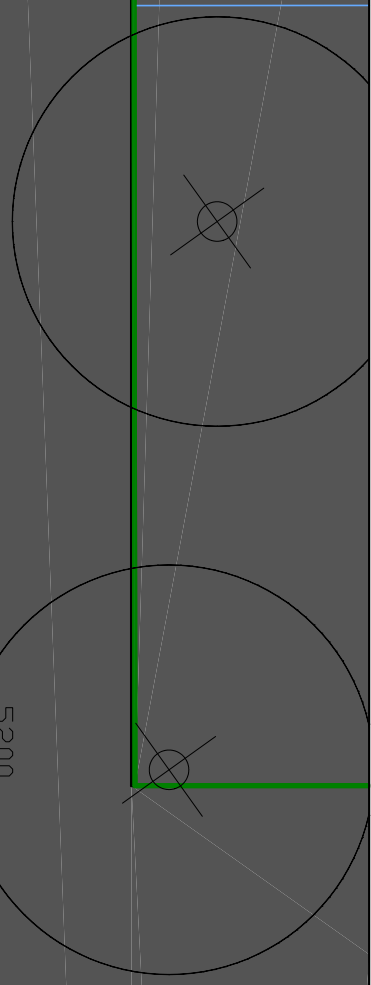


Date: 2/08/18
 Project No: P2544

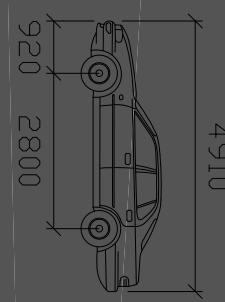
Drawing Name: Swept Path Assessment
 Project Name: Kiama Shores Senior Housing Development

Scale @ A3
 0 2 4 6 8 10 12
 1:250





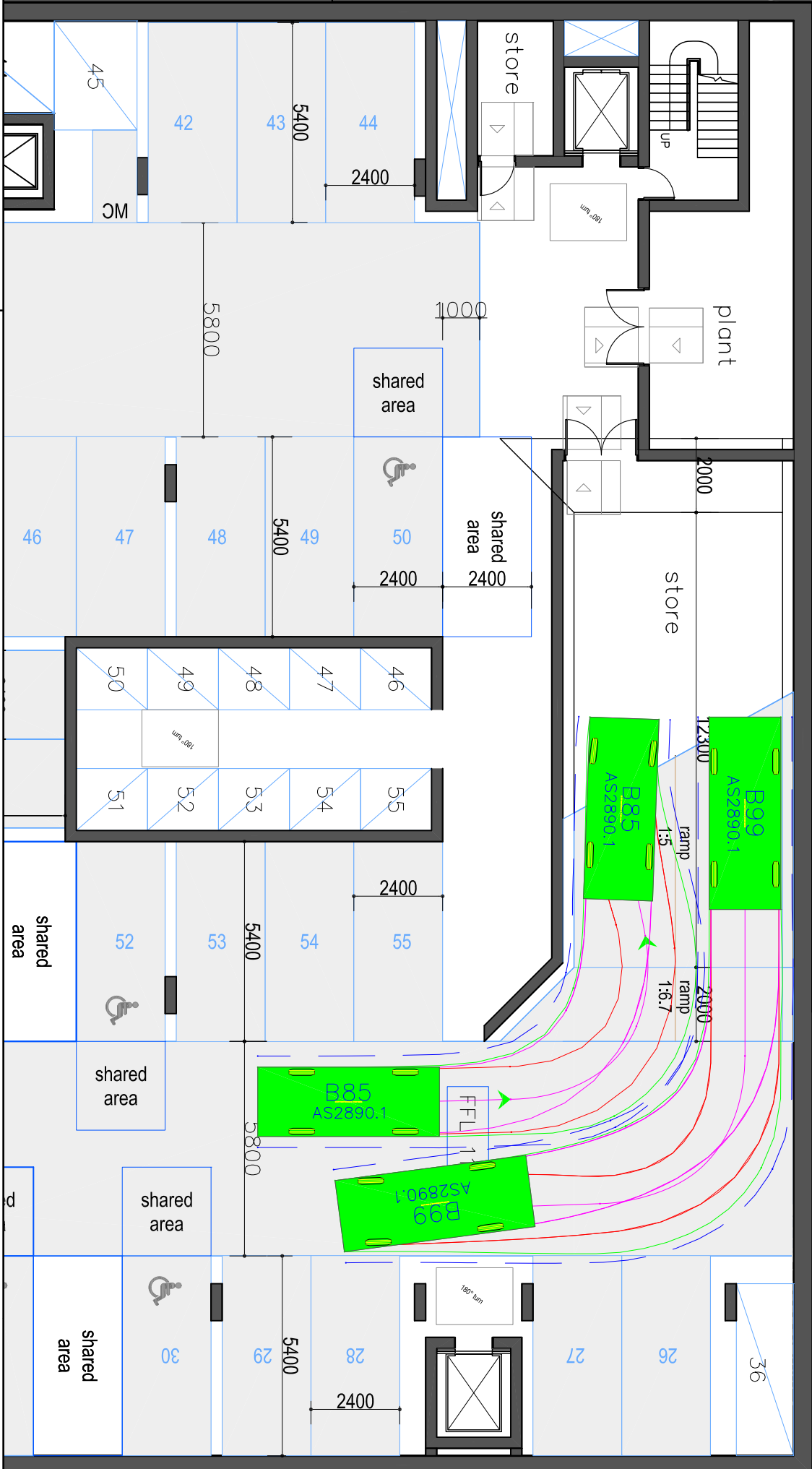
B99
 mm
 Width : 1940
 Track : 1840
 Lock to Lock Time : 6.0
 Steering Angle : 38.0



B85
 mm
 Width : 1870
 Track : 1770
 Lock to Lock Time : 6.0
 Steering Angle : 38.5

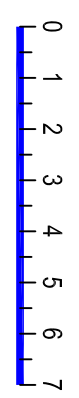
+ EX RL / 25972.55mm

EX RL / 21925.54mm +



Date: 2/08/18
 Drawing Name: Swept Path Assessment
 Project No: P2544
 Project Name: Kiama Shores Senior Housing Development

Scale @ A3



1:150